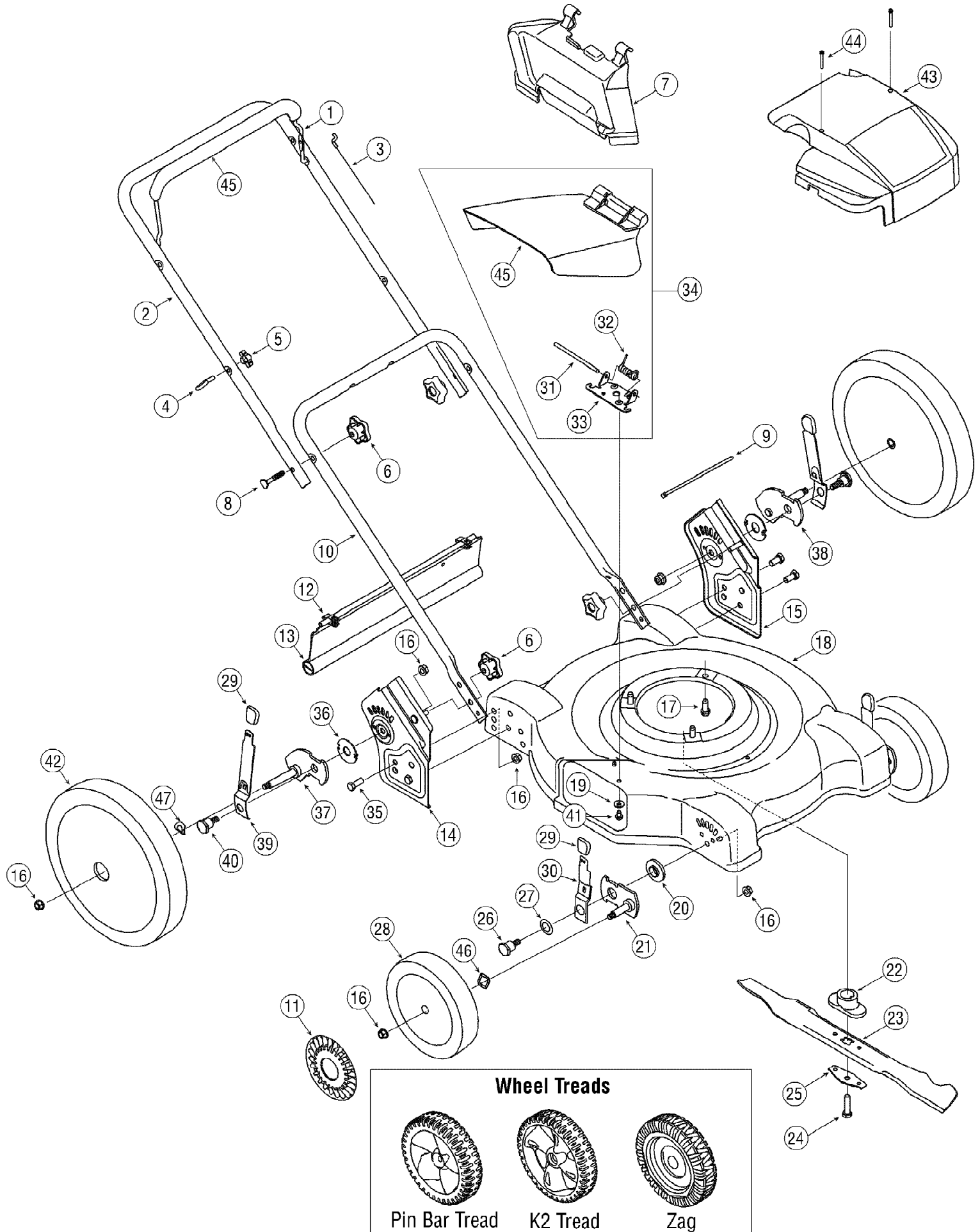


11A-504K290 (2007)
General Assembly



11A-504K290 (2007)
General Assembly

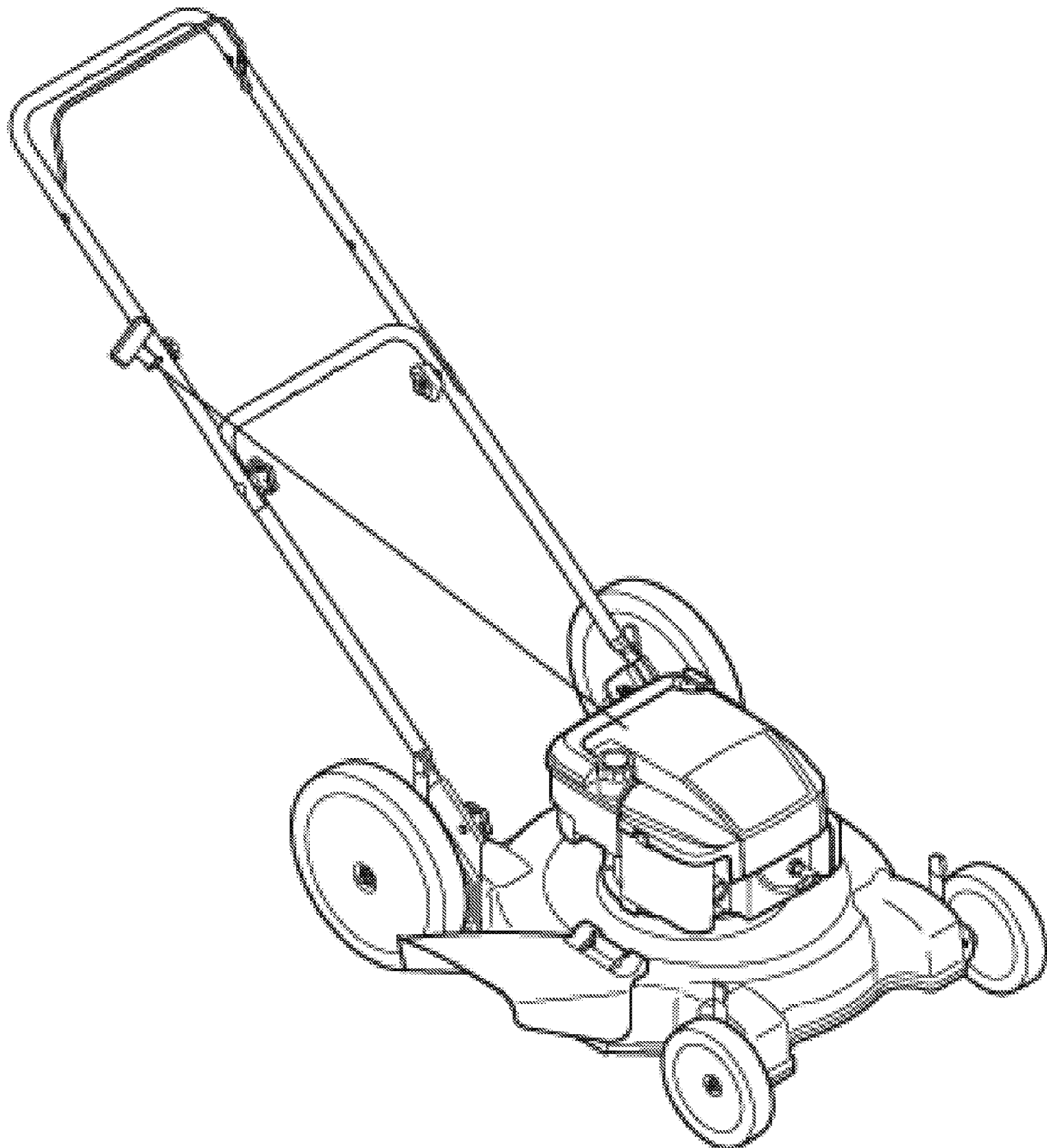
Page 2 of 5

Ref #	Part Number	Qty	S/P/F	Description
1	747-1161A	1	S	Blade Control
2	749-1092A	1	/P	Upper Handle
3	746-0957	1	S	Blade Control Cable - 37.25"
3	746-1130	1	S	Blade Control Cable - 40"
3	746-0946	1	S	Blade Control Cable - 48.25"
4	710-1205	1	/P	Eye Bolt
5	720-0279	1	/P	Wing Nut
6	720-04072	1	S	Star Knob
7	631-04045	1	/P	Mulching Baffle If equipped
8	710-1174	1	/P	Carriage Bolt 5/16-18 x 2.0
9	725-0157	1	/P	Cable Tie
10	749-04037	1	/P	Lower Handle
11	731-0981A	1	S	Hub Cap If equipped
12	17098	1	S	Hinge Clip
13	731-2537	1	/P	Trail Shield
14	682-3062A	1	S	Handle Bracket Assembly - RH
15	682-3063A	1	S	Handle Bracket Assembly - LH
16	712-04065	1	/P	Lock Nut 3/8 -16
17	710-0654A	1	/P	Hex Washer Screw 3/8-16 x 1.0
18	687-02048	1	/P	22" Deck Assembly
18	787-01097	1	S	22" Deck Assembly - No Sprig
19	736-0270	1	/P	Bell Washer.265 x.75
20	741-0751	1	/P	Height Adjuster Bearing
21	687-02094	1	S	Pivot Arm Assembly
22	748-0376C	1	/P	Blade Adapter
23	742-0742A	1	S	22" Mulching Blade If equipped
23	742-0642A	1	S	22" Standard Blade
24	710-1044	1	/P	Hex Cap Screw 3/8-24 x 1.5
25	736-0524B	1	/P	Blade Bell Support
26	738-1172	1	/P	Shoulder Screw 3/8 - 16 x.302
27	736-0741	1	/P	Bell Washer.760 ID x 1.25 OD
28	734-04213	1	S	Front Wheel, 7 x 1.8, K2 Bar
28	734-1988	1	/P	Front Wheel, 7 x 1.8, Pin Bar
28	734-04176	1	S	Front Wheel, 7 x 2.125, Zag
29	720-0426	1	/P	Height Adjuster Knob
30	732-1026	1		Front Spring Lever
31	747-0710	1	S	Hinge Pin
32	732-1014	1		Torsion Spring
33	17032A	1	/P	Deflector Chute Adapter
34	731-1034B	1	S	Side Discharge Chute Assembly
35	710-0216	1	/P	Hex Cap Screw 3/8-16 x .75
36	741-0717	1		Thrust Brg., .688 ID x 1.94 OD
37	687-02080	1		Rear Pivot Arm Assembly - RH
38	687-02079	1		Rear Pivot Arm Assembly - LH
39	732-0984B	1	/P	Rear Spring Lever
40	738-1127	1		Shoulder Screw 3/8 - 16 x.442
41	710-0599	1	/P	Screw 1/4-20 x.50
42	734-04217	1	S	Rear Wheel, 12 x 1.8, K2 Bar
42	734-04082	1	/P	Rear Wheel, 12 x 1.8, Pin Bar
42	734-04093	1		Rear Wheel, 12 x 2.125, Zag
43	751B698264	1		Engine Shroud If equipped
44	751B095050	1		Screw, #8-18 x 1.25 If equipped
45	731-04859	1		Cover If equipped

11A-504K290 (2007)
General Assembly

Ref #	Part Number	Qty	S/P/F	Description
46	736-0504	1	S	Wave Washer If equipped
47	736-0182	1	/P	Spring Washer If equipped

11A-504K290 (2007)
Quick Reference 504K



11A-504K290 (2007)
Quick Reference 504K

Page 5 of 5

Ref #	Part Number	Qty	S/P/F	Description
	759-3338	1	/P	Spark Plug 802592S
	N/A	1		Pre Filter
	BS-698472	1		Air Filter Ass'y
	N/A	1		Fuel Filter
	746-0957	1	S	Cable Control (Brake)
	742-0642A	1	S	Blade
	710-1044	1	/P	Blade Bolt
	748-0376C	1	/P	Blade Adapter
	736-0524B	1	/P	Bell Blade Support
	734-1988	1	/P	Wheels (Front)
	734-04082	1	/P	Wheels (Rear)
	731-0981A	1	S	Hub Cap
	731-2537	1	/P	Trail Shield
	731-1034B	1	S	Side Discharge Chute
	N/A	1		Grass Bag
	190-110-190	1		Side Discharge Grass Collector (2007) (Attachment)